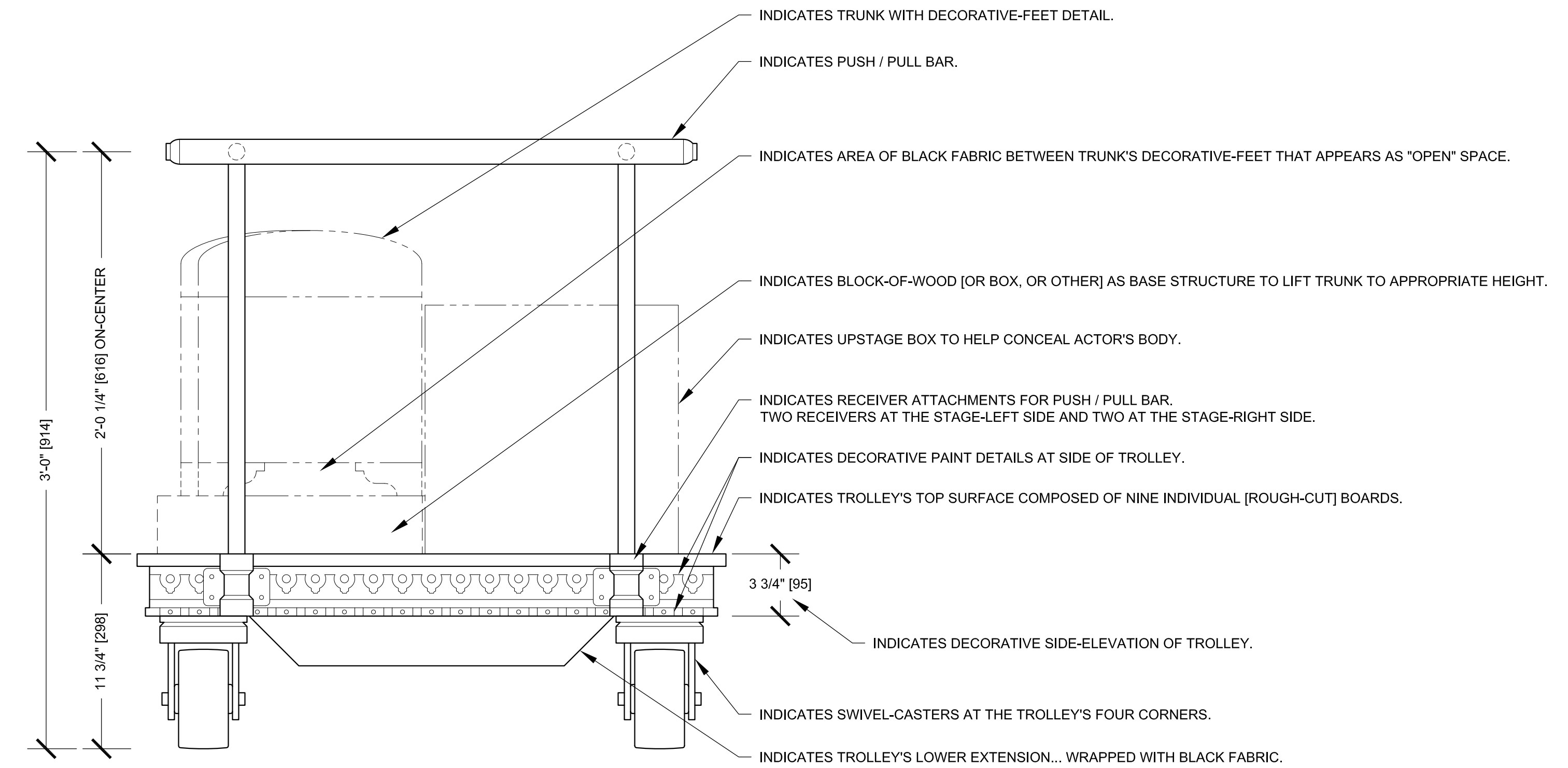
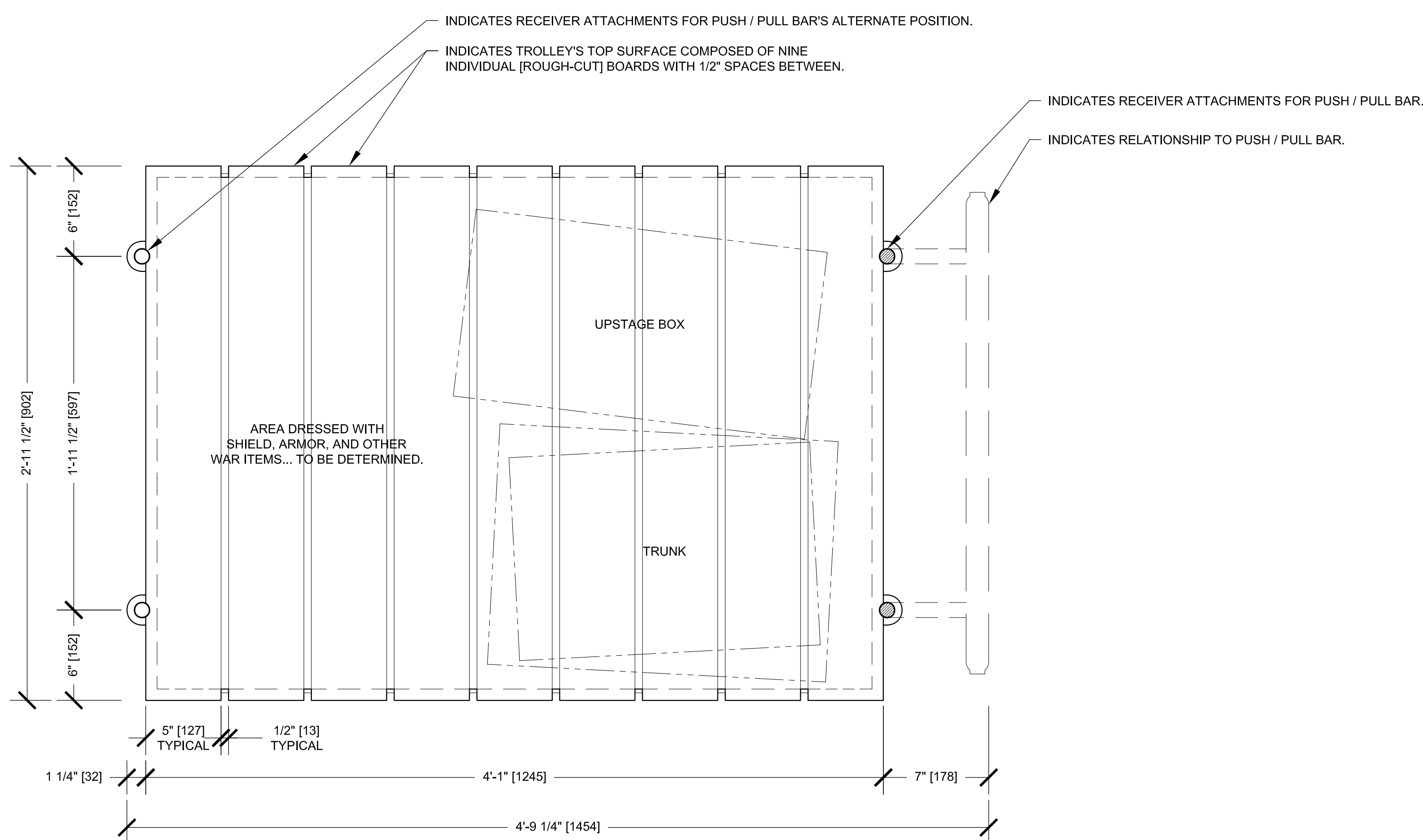


DISEMBODIED-HEAD-IN-TRUNK TROLLEY: DOWN-STAGE SIDE ELEVATION
SCALE: 2" = 1'-0"



DISEMBODIED-HEAD-IN-TRUNK TROLLEY: STAGE-LEFT SIDE ELEVATION
SCALE: 2" = 1'-0"



DISEMBODIED-HEAD-IN-TRUNK TROLLEY: PLAN VIEW
SCALE: 2" = 1'-0"

PIPPIN
NORTH AMERICAN TOUR - 2014

Book by: Roger O. Hirson	Music & Lyrics by: Stephen Schwartz
Directed by: Diane Paulus	Scenic Design by: Scott Pask
Costume Design by: Dominique Lemieux	Lighting Design by: Kenneth Posner
Sound Design by: Deans & Helm	Technical Supervisor: Jake Bell

DISEMBODIED-HEAD-IN-TRUNK TROLLEY

Tour Associate Design:
Frank McCullough
frankm@tjmc.com
646-625-1560

PLATE #
21

PRELIMINARY
July 28th, 2014